



Data Signs Part: (12410) PTL Aldridge Aspect Adapters

RSL-ELEC-DS-P-12410



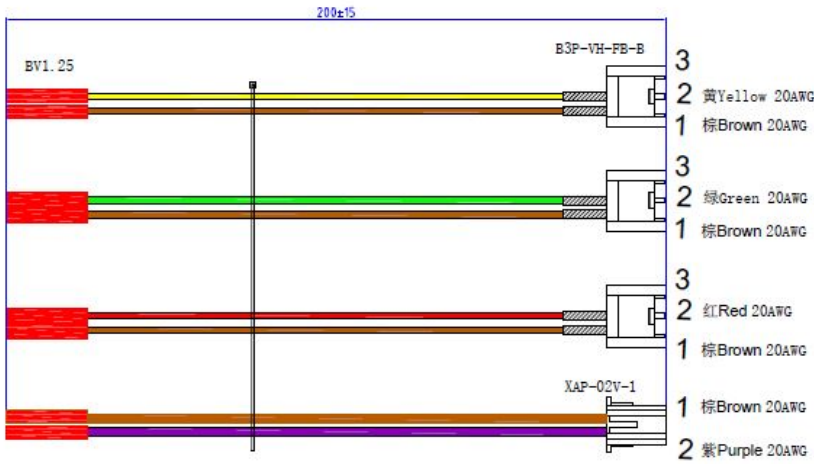
100000.000000

price w/ VAT

100000.000000

price w/o VAT

VAT rate



Product Details

Adaptors for Aldridge Aspects
Used as part of (12121) PTL Wiring Harness from Battery box to Aspects



Product Specifications

Dear ,

Thank you, edited!